



A New Branch of SAIKANG Medical

SKSurgitech	4
Thanks for your trust!	5
New Surgical Tables	6

A New Branch of SAIKANG Medical

—Chengdu Saikang Medical Equipment Co.,Ltd

In order to meet the expansion of business in southwest region of China, SAIKANG decides to establish a new company in Chengdu city, Sichuan province. Now, the dream comes true. The new company will be put into operation normally in September. It is named Chengdu Saikang Medical Equipment Cooperation Limited.

SAIKANG has been specialized in hospital furniture since 2002. We keep ahead with the advantage of continuous innovation, correct marketing decisions and professional team work. We choose to establish a new branch in Chengdu city with a long-term view centered

on delivering value rather than achieving short-term results. Firstly, more medical related resources are in the surrounding area. Secondly, large quantities of supporting products can help us realize the quick assembly of products. More importantly, Chengdu, capital city of Sichuan province, is a modern city. The high efficiency of business can be beneficial to our distribution.

Meanwhile, different business service and government policy in Chengdu from those in the headquarter, but they create more convenience for SAIKANG's development. We can see complete set of supporting facilities around this industrial estate. For

example, banks nearby help us save time in the process of documents' exchanges.

Many colleges and universities in Sichuan provide excellent talents for us. Besides, it is believed that our warm working environment will attract them. After all, what will be more competitive than international team or relaxed environment?

Last but not least, the establishment of a new branch means that SAIKANG is entering a new historical stage. It is believed that we can respond to customers' needs more quickly develop faster together with our clients. Please wait and see.



An Exclusive Interview from the Industrial Park Where **Chengdu SAIKANG** is Located



In the past few months, we have been busy with the establishment of a new company in Chengdu city, southwest region of China. We also got a lot of attentions from the local industrial park. And our general manager, Michael, was invited to have an exclusive interview about details of SAIKANG on the 3rd of September.

In the interview, Michael introduced Chengdu SAIKANG in several aspects. First of all, Chengdu SAIKANG is one of SAIKANG' s branches, also

specialized in mass production and international distribution of hospital furniture. Besides, rich resources of medical equipment are available in the surrounding areas. Moreover, high efficiency of business and excellent graduates are great motivations to speed up the company' s development. Thirdly, government policies in Chengdu create more conveniences for enterprises' development. Last but not least, with the independent research, production and international sales, we can make

quick adaptations according to the market environment.

After the interview, Michael showed the reporter around the company' s office and exhibits of Chengdu branch. Michael reiterated the company's good wishes that what we are doing is receiving more orders and responding more quickly. SAIKANG is always fulfilling the slogan of "race against time, healthier your life" . Hopefully with good medical care, everything will be fine.



SKSurgitech, Brand of Surgical Products Newly Created by SAIKANG

This July, we created our new brand, SKSurgitech. This brand is associated with equipment for surgery. We can supply complete product categories, including operating table, gynecology bed, surgical lamp, ICU surgical pendant, anesthesia machine, sterilizer and other operating room equipment.

Wide ranges of products can help provide choices for anybody interested in surgery products. SKSurgitech products are reliable with the confidence of 29 certifications, like CE, FDA, ISO9001/13485 and so on.

Our website sksurgitech.com is under construction now. Main contents on [linkedin \(linkedin.com/company/sksurgitech\)](https://www.linkedin.com/company/sksurgitech) and [facebook \(facebook.com/SKSurgitechEquipment\)](https://www.facebook.com/SKSurgitechEquipment) are going on well now. Welcome to have a look.



Thanks for **your trust!**

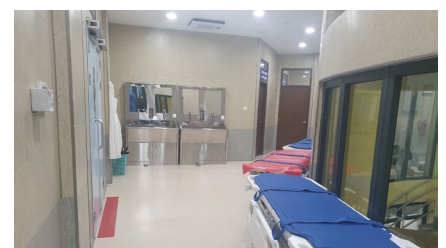
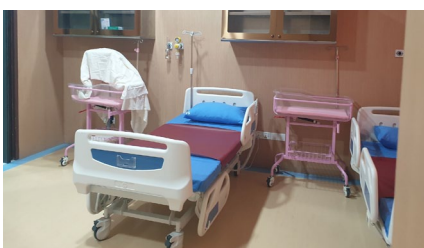


Yin Sein Hospital, a hospital in Myanmar
—SAIKANG has supplied Complete Set of Furniture in Myanmar

SAIKANG hospital beds, ventilators and patient trolleys have contributed a lot to hospital project during the pandemic period. Hospital beds have been exported to 149 countries. Now, we are satisfied with what we are always devoted to. What's more, we are happy to receive good information and beautiful images from our clients.

Following wonderful pictures were well received by us in this August. Yin Sein Hospital is in Myanmar. We began this hospital project in last March. The project has included 54 electric beds, 108 bed mattresses, 95 over-bed tables, 20 baby cribs, 10 exam tables, 5 patient trolleys, 4 dialysis trolleys, 3 gynecological tables and so on.

It is our great honour to participate in this wonderful project and serve people there. We can see complete set of SAIKANG hospital products be well installed in Yin Sein Hospital. Now, they are in operation currently. Hope everything be better in the near future with our efforts.



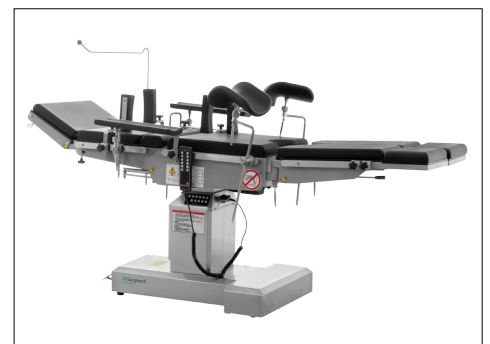
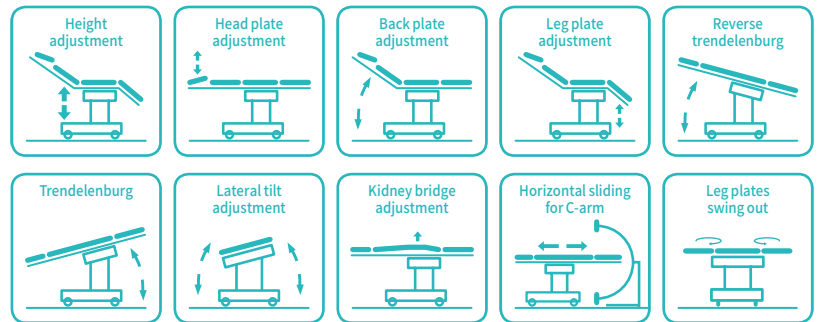
A301

ELECTRIC OPERATION TABLE

Registration code: SKL-A

Size (LxWxH): 2150x555x(750-1000)mm

Product video



With the research of products, we can supply varieties of products now. This year, we launched new products and

increased product categories. Complete set of surgical products can fulfill customers' requirements of surgical projects.

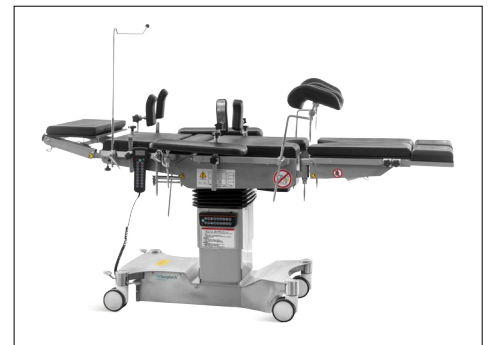
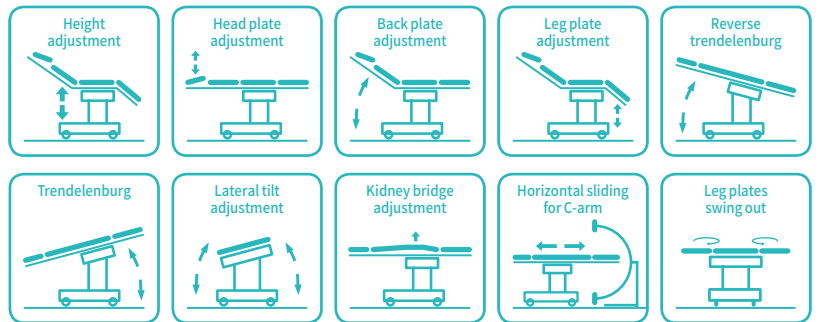
A302

ELECTRIC OPERATION TABLE

Registration code: SKL-A

Size (LxWxH): 2150x555x(700-1000)mm

Product video



We recommend two hot-selling surgical tables here. In June, many good comments on A301 and A302 were

received by us after the first product launch of them. Appropriate body positions can be realized the application

of multiple functions and accessories. Then, we share products' details with you.

In brief

CMEF in Shenzhen, October 13-16

We are preparing to attend CMEF(China International Medical Equipment Fair) as an exhibitor in Shenzhen World Exhibition & Convention Center. Wide ranges of medical products around the whole country will be showed there. We will exhibit best-selling products relating ICU and surgery projects in this fair. The exhibition will start on the 13th of October. Welcome to pay attention to the latest information about our attendance through our website (saikangmedical.com) or social media.



Team Activity of Sales Department in September

On September 12th, the team members of SAIKANG sales department participated in a wonderful team activity. We hold the belief of "One Spirit, One Team, One Win!" in the exciting shooting competition. Members were divided into five groups. In the morning, we competed in groups and felt the power of teamwork. Moreover, we enjoyed the delicious food, together with the beautiful scenery in the afternoon. It is believed that we can do more together. It was perfect weekend.



Training Courses Designed for New Employees in SAIKANG

Only when every department cooperates well can one company go forward together and innovate continuously. Dozens of people experienced in their respective fields are chosen as tutors. Their responsibility is to help them be familiar with the cooperation between departments and necessary skills to fulfill their later work. Training courses will be proceeding every day in 12 weeks.



SAIKANG/Medical

Jiangsu Saikang Medical Equipment Co., Ltd.
STOCK CODE: 870098

📍 No. 35, Lehong Road · Zhangjiagang (Jiangsu) · China

📞 +86 18021231901 · 🕒 24/7

✉️ export@saikangmedical.com

🌐 www.saikangmedical.com



Company video



General catalogue